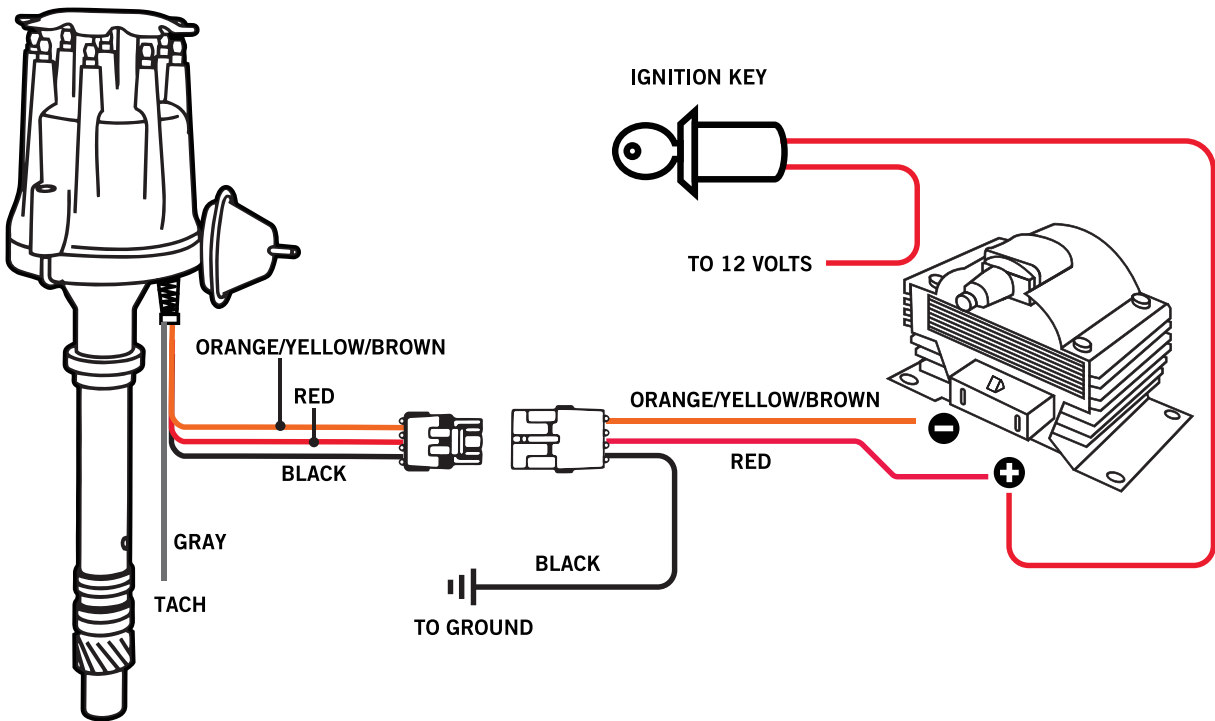




# PRO SERIES READY TO RUN DISTRIBUTOR INSTALLATION



RED	TO COIL POSITIVE ⊕ 12 VOLTS
ORANGE/YELLOW/BROWN	TO COIL NEGATIVE ⊖
BLACK	TO ENGINE GROUND